

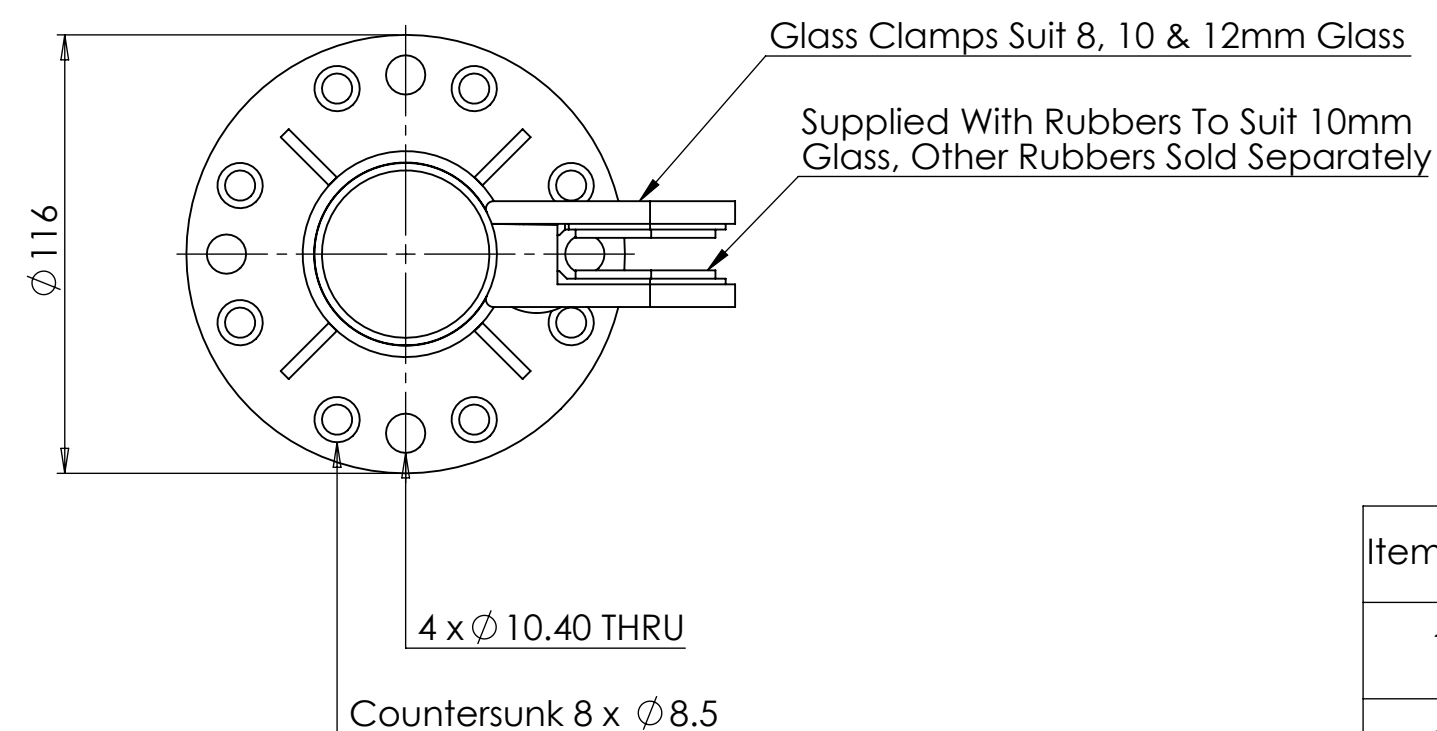
**Balustrade Heights Achieved With Different Fittings:**

Total Height Achieved	Optional End Part Code	Picture
1100 mm To The Top Rail	Adjustable Spigot - 1806312DD	
1100 mm To The Top Rail	Fixed Spigot - 1806310DD	
1100 mm To The Top Rail	Corner Fixed Spigot - 1806311DD	
1025 mm To The Top Rail	Tube Adaptor - 1806313DD	
1031 mm To The Top Rail	Long Tee - 1806205D	
1031 mm To The Top Rail	3 Way Corner - 1806204D	
1055 - 1164mm To The Top Rail	Adjustable Sleeve Fit - 1806316DD	
1100 mm To The Top Rail	Corner Support Bracket - 1806311DDA	

Total Height Achieved	Optional End Part Code	Picture
977 mm	Flat Top - 1806214D	
978 mm	Raised Top - 1806215D	
996 mm	Dome Top - 1806216D	

**Base Plate Detail**

Scale 1: 2



Item No.	Part Code	Description	Material	Qty.
1	1806228D	Welded on Round Base Plate With 'O' Ring & Cover	316 Stainless	1
2	1806401D	Round Back Glass Clamps	316 Stainless	2



**Pro-Railing**  
Tel: 0121 565 8282  
Email: [prorailing@brundle.com](mailto:prorailing@brundle.com)  
Web: [www.prorailing.co.uk](http://www.prorailing.co.uk)

NOTES:  
Customer Drawing Information

DESCRIPTION:  
48.3mm Base Fix Assembled End Post

PART NO:  
1806791D

DWG NO:  
NA

A2

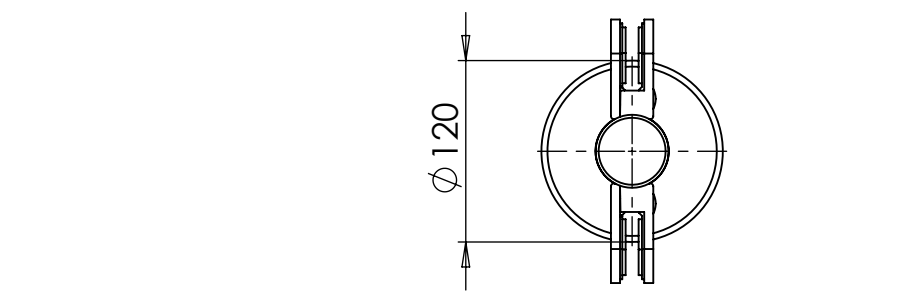
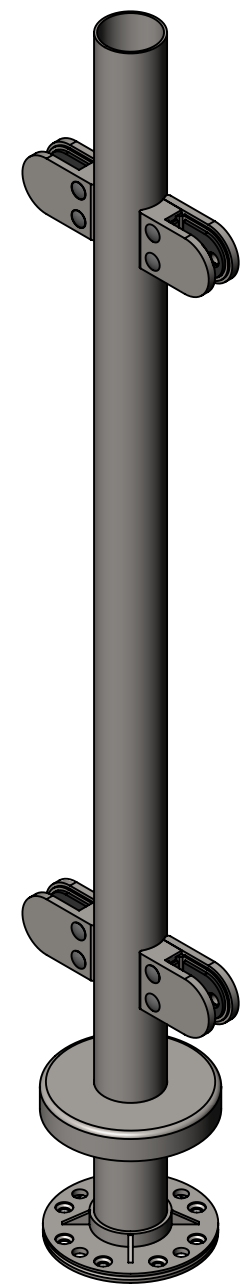
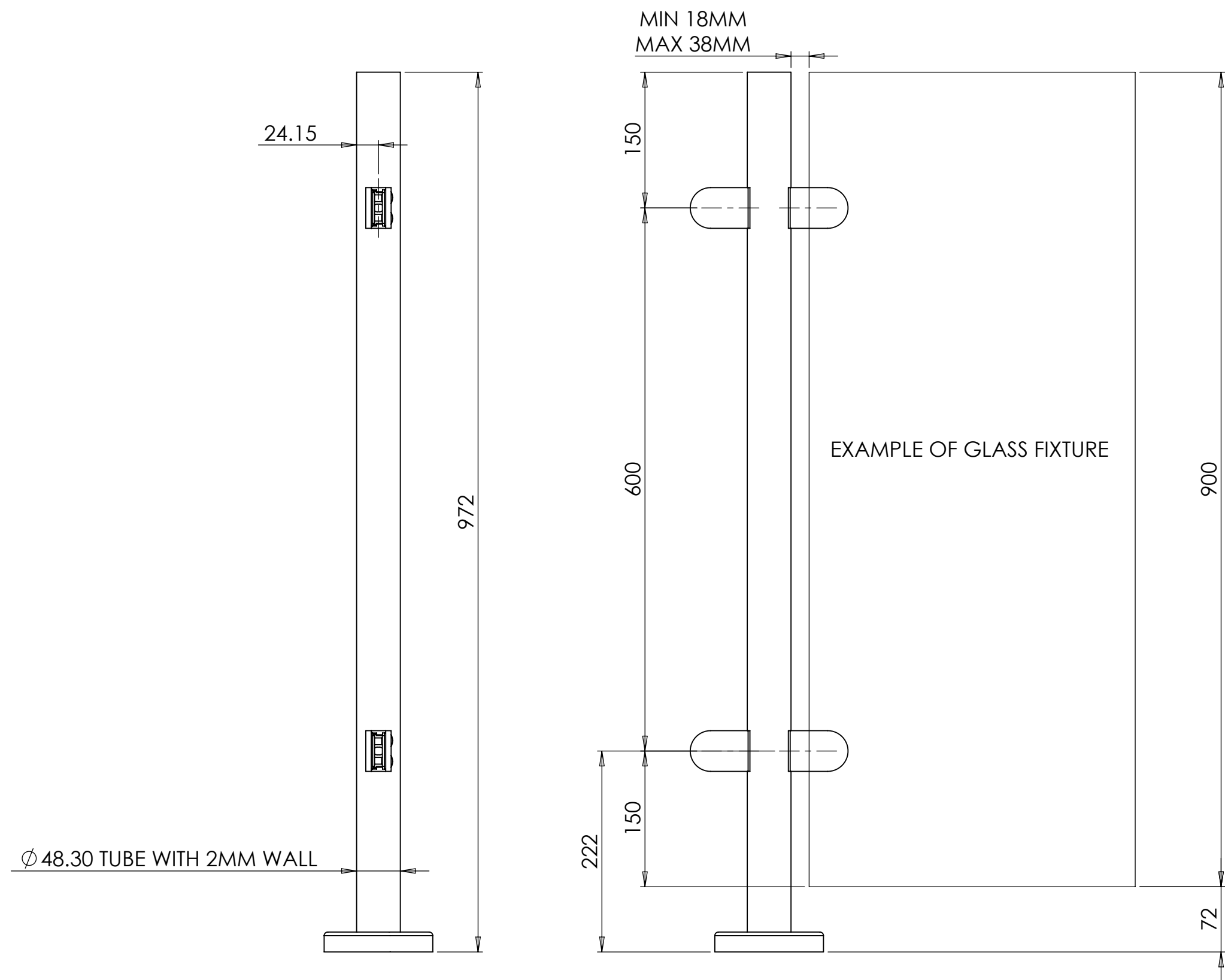
NAME	DATE	REVISION
DRAWN LT	20/10/2016	
CHECKED EF	25/10/2016	J

MATERIAL:  
316 Stainless Steel

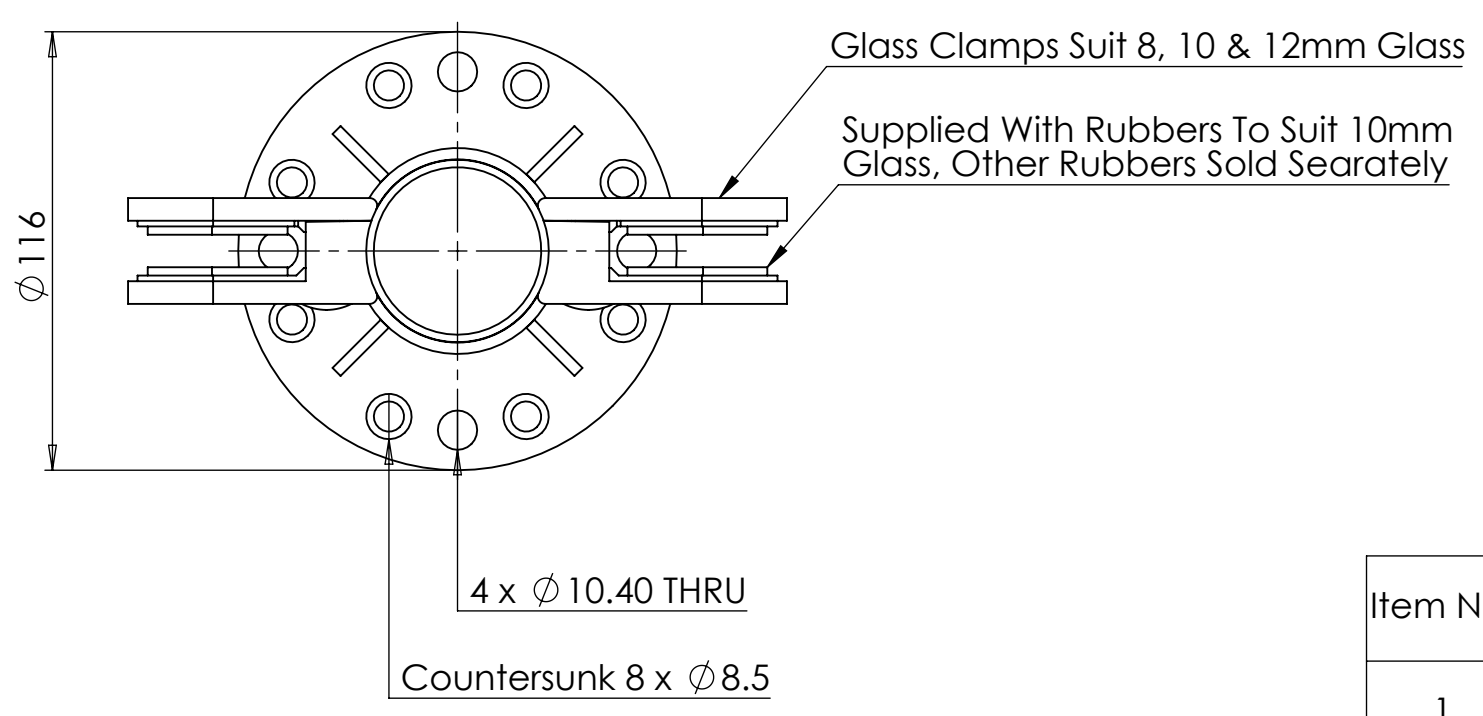
FINISH:  
Polished

GRIT SIZE:  
NA

WEIGHT: 3.40 Kg



**Base Plate Detail**  
Scale 1: 2



Total Height Achieved	Optional End Part Code	Picture
976.5 mm	Flat Top - 1806214D	
978 mm	Raised Top - 1806215D	
996 mm	Dome Top - 1806216D	

**Balustrade Heights Achieved With Different Fittings:**

Total Height Achieved	Optional End Part Code	Picture
1100 mm To The Top Rail	Adjustable Spigot - 1806312DD	
1100 mm To The Top Rail	Fixed Spigot - 1806310DD	
1100 mm To The Top Rail	Corner Fixed Spigot - 1806311DD	
1025 mm To The Top Rail	Tube Adaptor - 1806313DD	
1031 mm To The Top Rail	Long Tee - 1806205D	
1031 mm To The Top Rail	3 Way Corner - 1806204D	
1055 - 1164 mm To The Top Rail	Adjustable Sleeve Fit - 1806316DD	
1100 mm To The Top Rail	Corner Support Bracket - 1806311DDA	

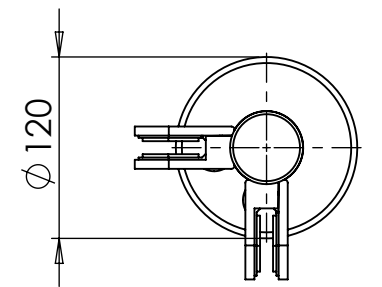
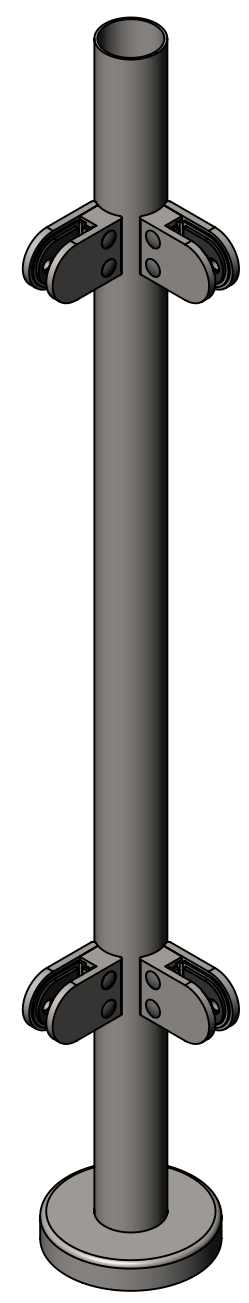
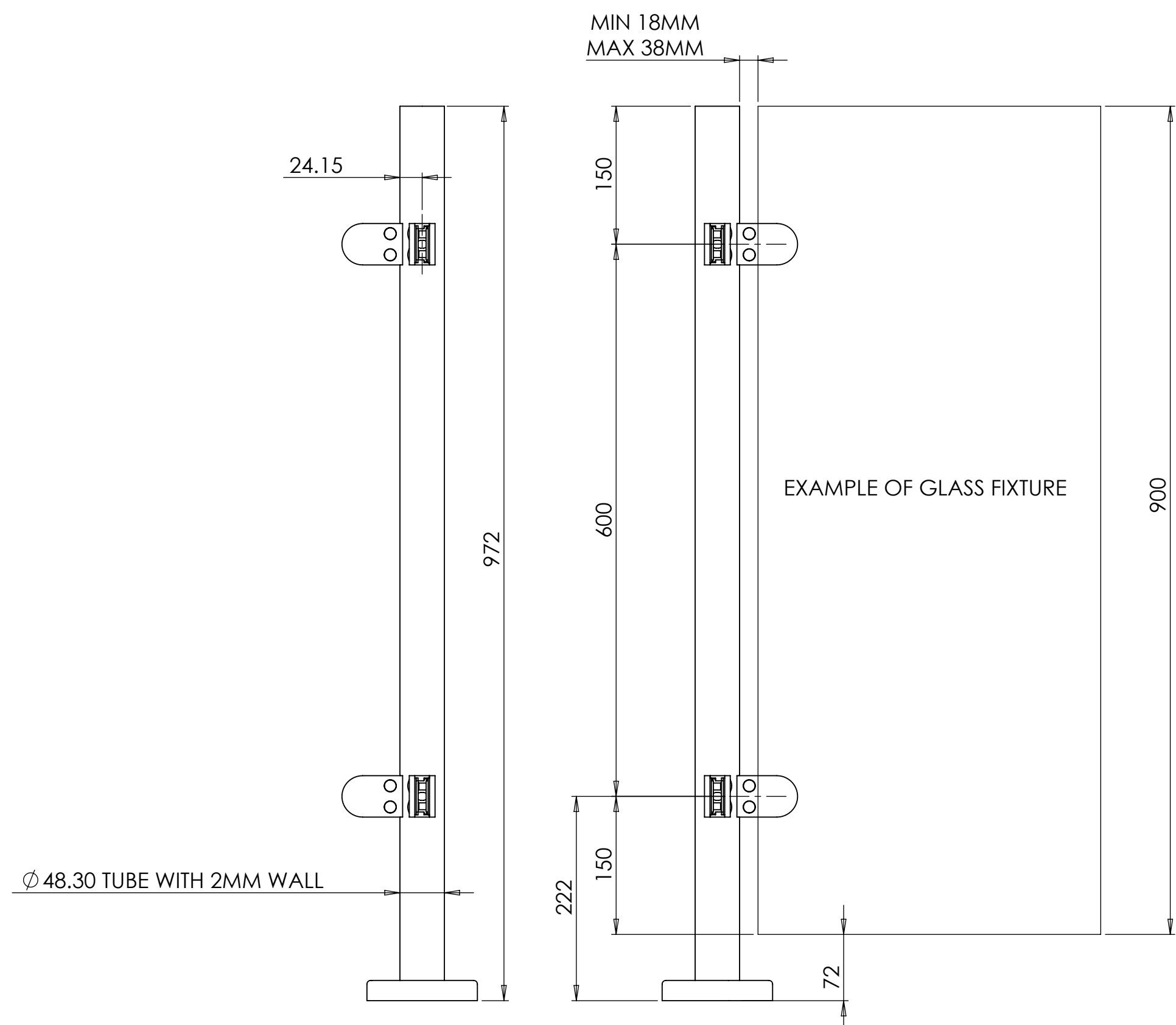
Item No.	Part Code	Description	Material	Qty.
1	1806228D	Welded on Round Base Plate With 'O' Ring & Cover	316 Stainless	1
2	1806401D	Round Back Glass Clamps	316 Stainless	4



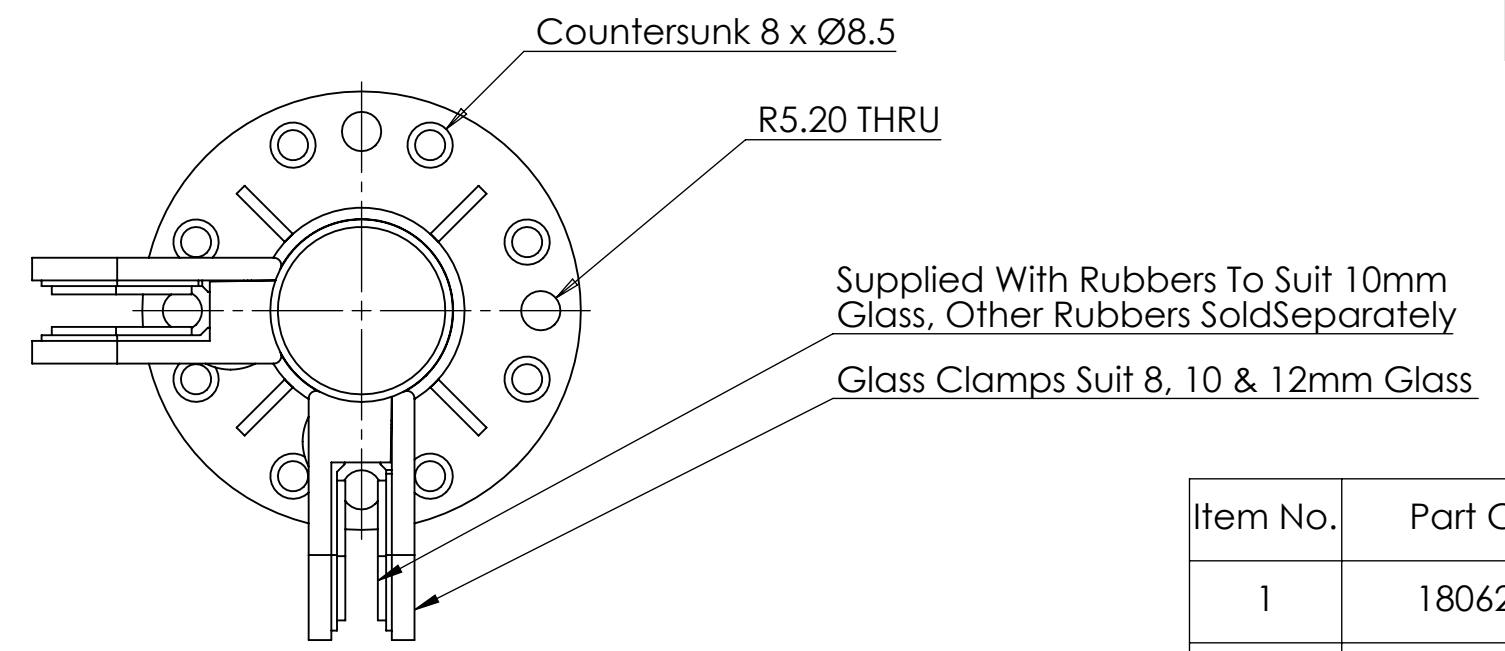
**Pro-Railing**  
Tel: 0121 565 8282  
Email: prorailing@brundle.com  
Web: www.prorailing.co.uk

NOTES: Customer Drawing Information	
DESCRIPTION: 48.3mm Base Fix Assembled Mid Post	
PART NO: 1806792D	
DWG NO: N/A	A2
MATERIAL: 316 Stainless Steel	
FINISH: Polished	
GRIT SIZE: 320	
WEIGHT: 3.99 Kg	
SCALE: 1:10	DO NOT SCALE DRAWING
SHEET 1 OF 1	

UNLESS OTHERWISE SPECIFIED ALL DIMENSIONS ARE IN MILLIMETERS			
NAME	DATE	REVISION	
DRAWN LT	20/10/2016	J	
CHECKED EF	25/10/2016		



**Base Plate Detail**  
Scale 1: 2



Total Height Achieved	Optional End Part Code	Picture
977 mm	Flat Top - 1806214D	
978 mm	Raised Top - 1806215D	
996 mm	Dome Top - 1806216D	

Item No.	Part Code	Description	Material	Qty.
1	1806228D	Welded on Round Base Plate With 'O' Ring & Cover	316 Stainless	1
2	1806401D	Round Back Glass Clamps	316 Stainless	4

**Balustrade Heights Achieved With Different Fittings:**

Total Height Achieved	Optional End Part Code	Picture
1100 mm To The Top Rail	Adjustable Spigot - 1806312DD	
1100 mm To The Top Rail	Fixed Spigot - 1806310DD	
1100 mm To The Top Rail	Corner Fixed Spigot - 1806311DD	
1025 mm To The Top Rail	Tube Adaptor - 1806313DD	
1031 mm To The Top Rail	Long Tee - 1806205D	
1031 mm To The Top Rail	3 Way Corner - 1806204D	
1055 - 1164mm To The Top Rail	Adjustable Sleeve Fit - 1806316DD	
1100 mm To The Top Rail	Corner Support Bracket - 1806311DDA	



**Pro-Railing**  
Tel: 0121 565 8282  
Email: prorailing@brundle.com  
Web: www.prorailing.co.uk

NOTES: Customer Drawing Information	
DESCRIPTION: 48.3mm Base Fix Assembled Corner Post	
PART NO: 1806793D	A2
DWG NO: NA	
SCALE: 1:10	DO NOT SCALE DRAWING
SHEET 1 OF 1	

MATERIAL: 316 Stainless Steel		FINISH: Polished	
GRIT SIZE: 320		WEIGHT: 3.99 Kg	
UNLESS OTHERWISE SPECIFIED ALL DIMENSIONS ARE IN MILLIMETERS	NAME	DATE	REVISION
DRAWN	LT	20/10/2016	K
CHECKED	EF	25/10/2016	