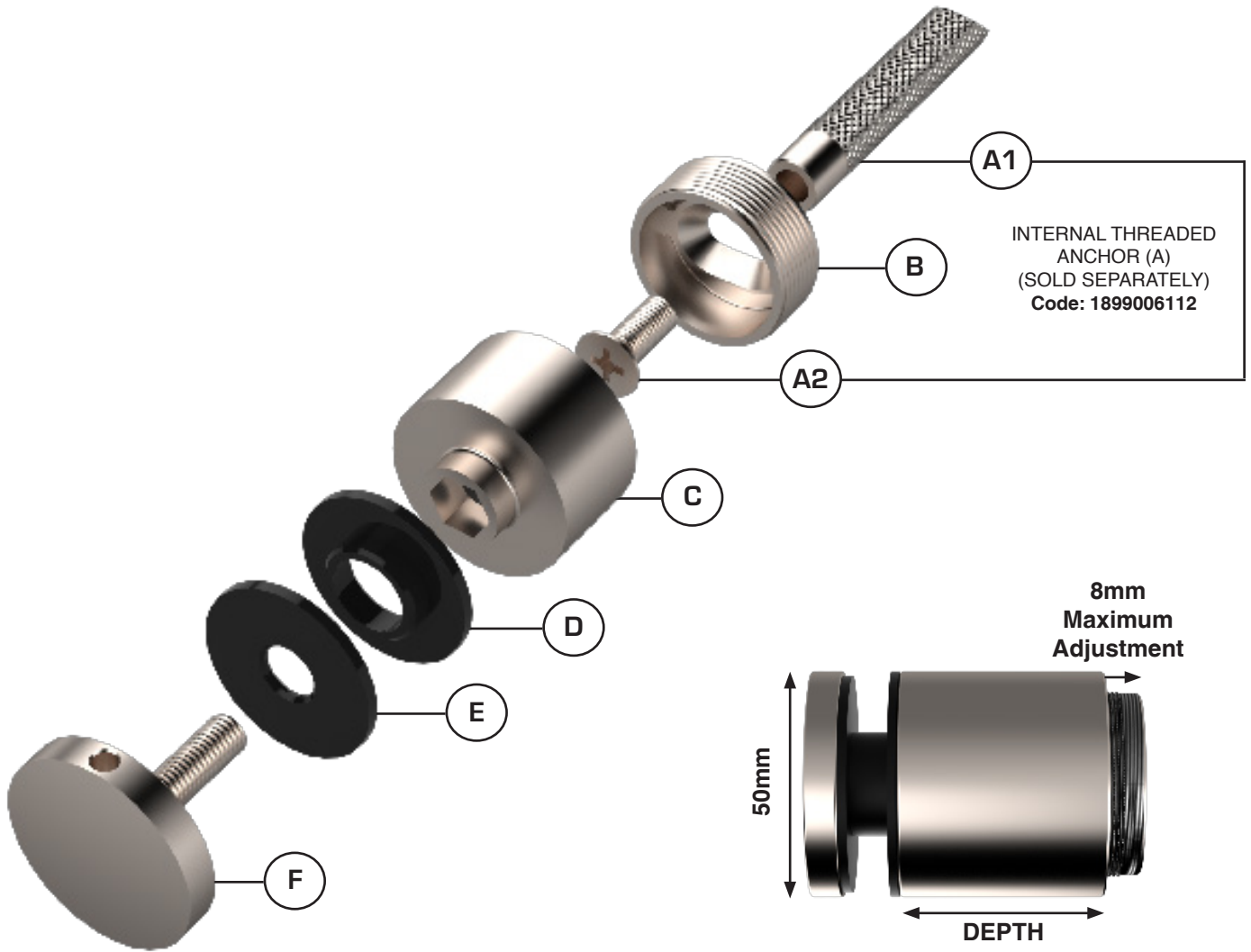
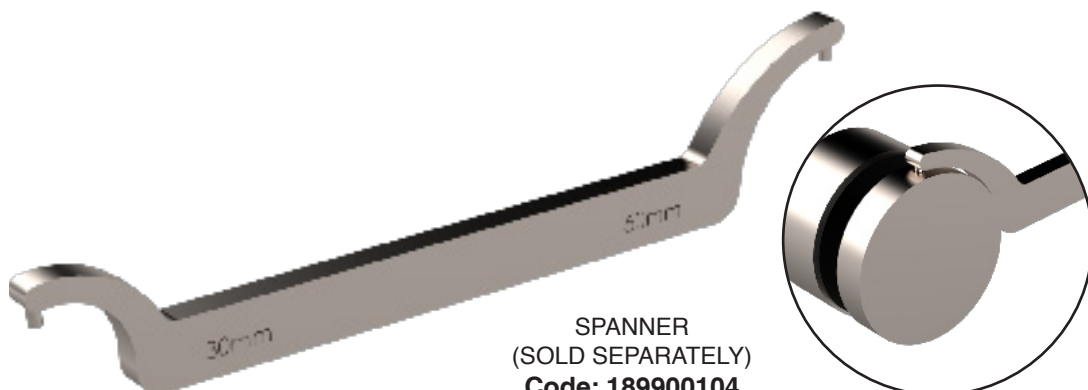


ADJUSTABLE HOLLOW STAND-OFF INSTRUCTIONS

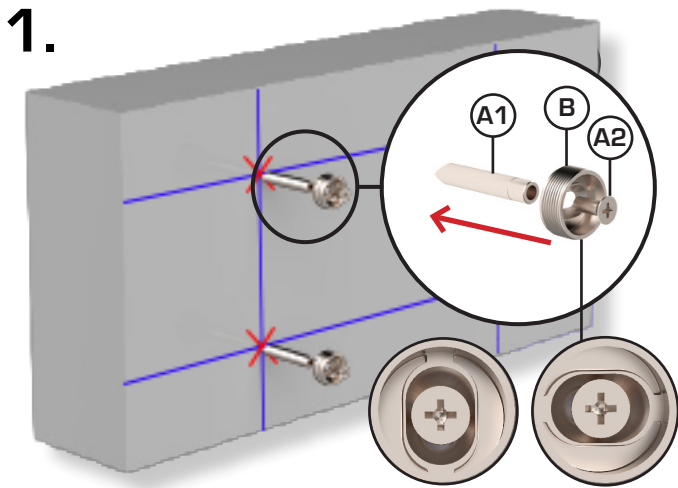


DEPTH mm	GLASS mm	GLASS HOLE Ø mm	SATIN POLISH CODE	MIRROR POLISH CODE
20	12.76 - 17.52	26	1806459	1806459M
30	12.76 - 25.52	26	1806460	1806460M
40	8.00 - 25.52	26	1806461	1806461M
50	8.00 - 25.52	26	1806462	1806462M

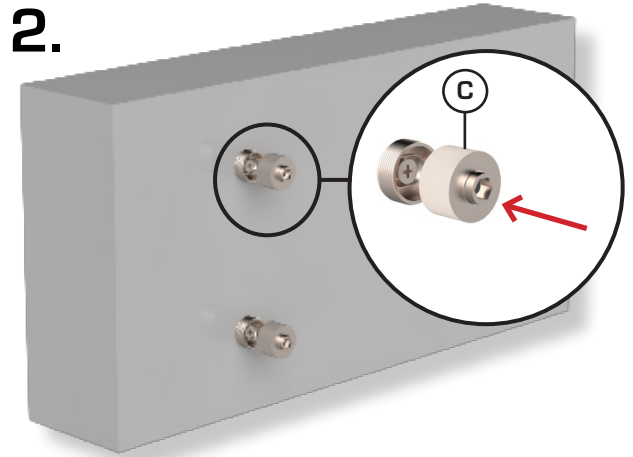
Grade 316 Stainless Steel



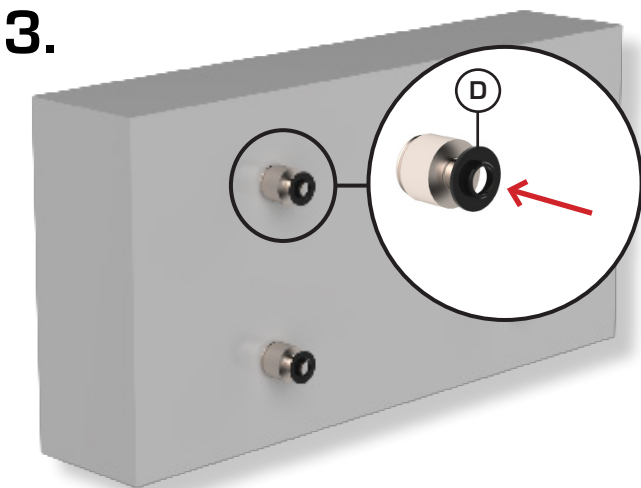
N.B. : Before starting, please ensure that the structure is strong enough for the system and that you use an appropriate fixing bolt **(A)**. If you are uncertain, we advise you to consult a structural engineer.



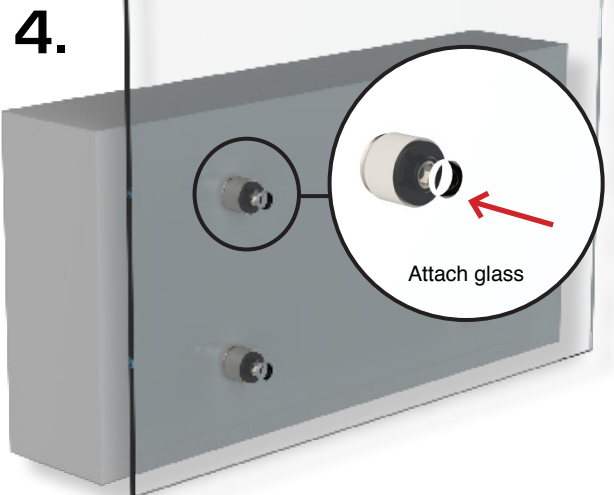
Set string lines and mark fixing centres to make sure bolts are set in alignment, then drill holes. Fix **A1** into the hole with a chemical fixing **Code: 05RKEM** and position **B** in either horizontal or vertical position. Secure **B** in place with **A2**.



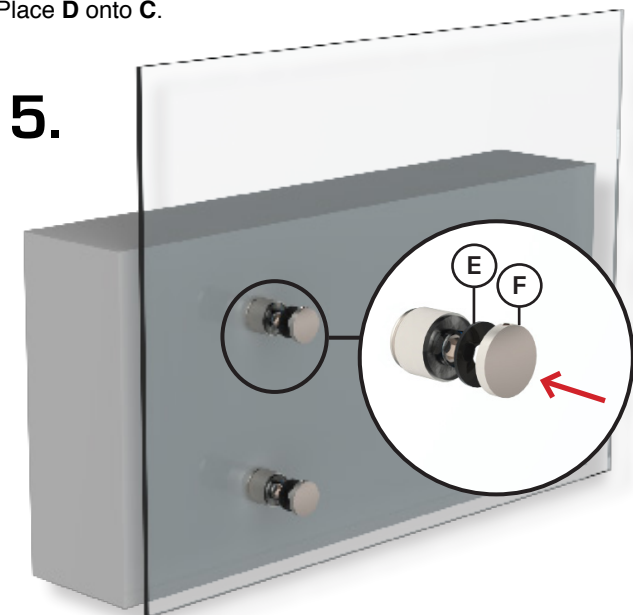
Screw **C** onto **B** with up to 8mm adjustment from the wall.



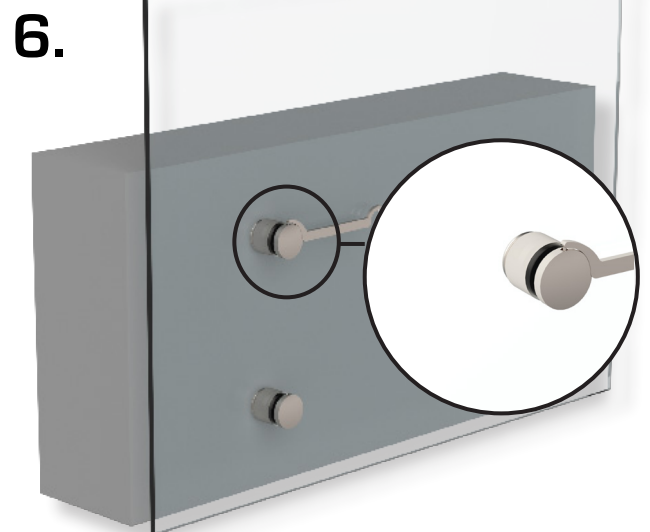
Place **D** onto **C**.



Position glass.



Secure glass in place using **E** and **F** to ensure correct alignment. If adjustment is needed, remove **E** and **F**, adjust glass and then secure again **E** and **F** again.



Tighten **F** by using spanner (**Code:189900104**).

Whilst every effort has been made to ensure the accuracy of the information supplied. F.H.Brundle cannot be held responsible for any errors or omissions. This product must only be employed for its original intended use. Any other use is wrong and potentially dangerous. Installation must be carried out in full compliance with current regulations. F.H.Brundle cannot be held liable for any damages resulting from wrongful, erroneous or negligent use.