

WEDGE-LOC™ SYSTEM



SLIM CHANNEL



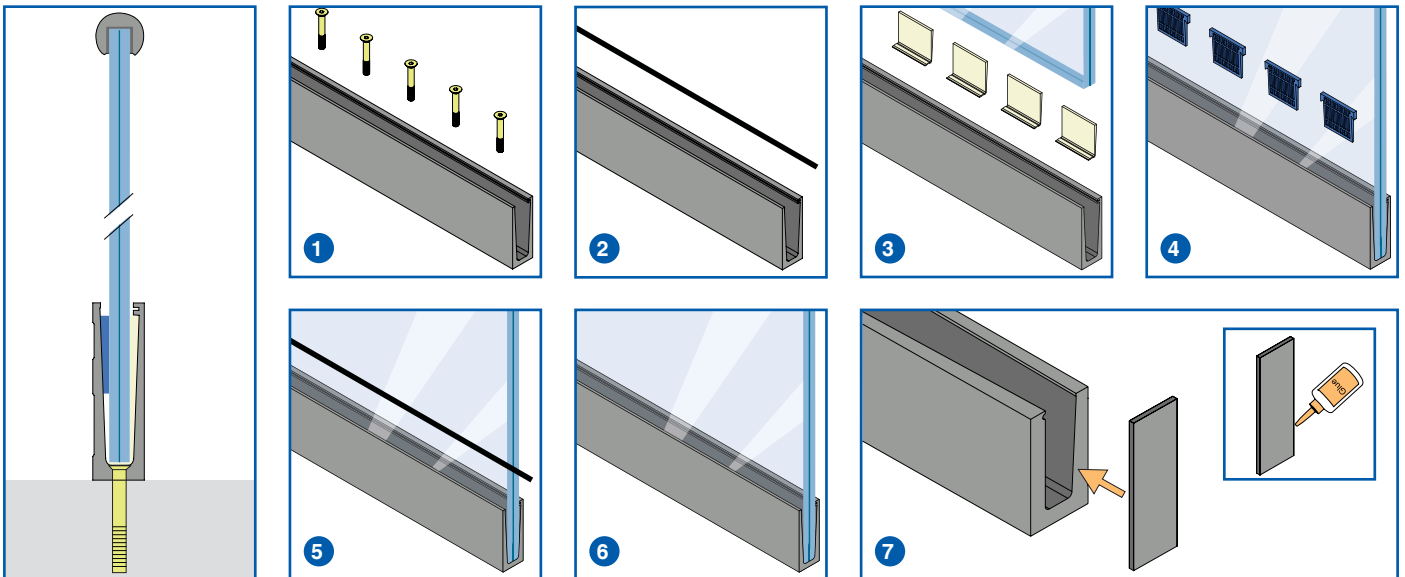
TESTED TO
BS 6180



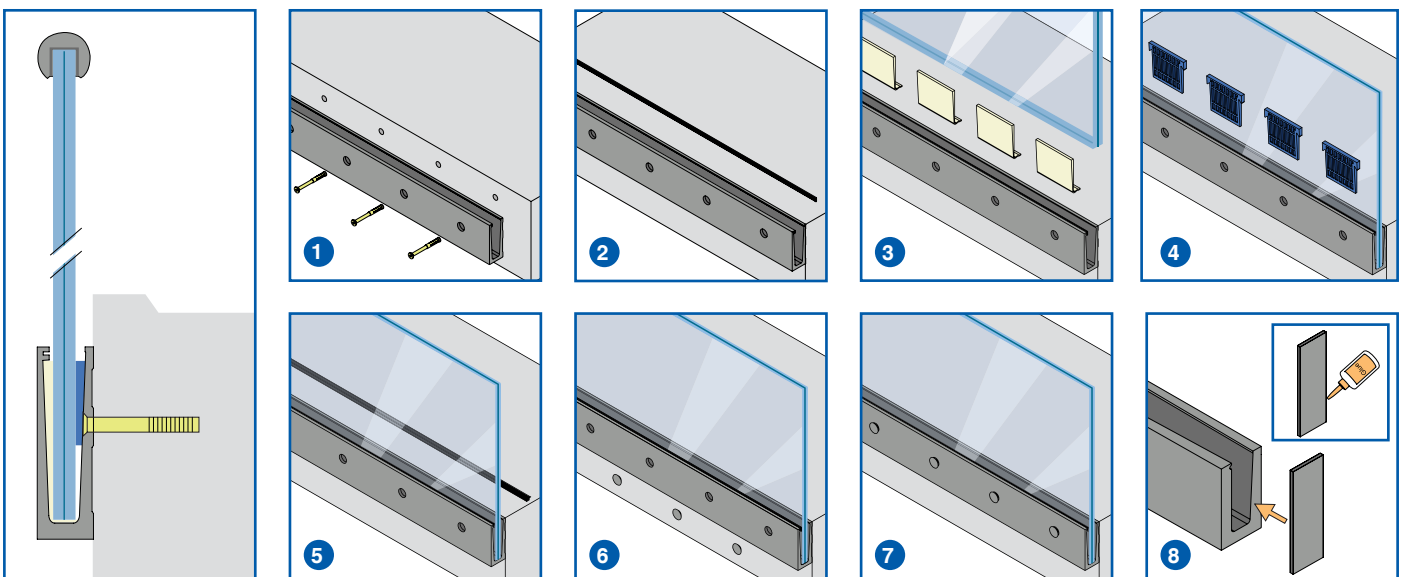
FEATURES:

- Satin anodised finish
- Stainless cladding not required
- Great value
- Quick to install
- Pre-drilled channel fixing holes
- Height to glass when packer fitted is 13mm
- Packer height 2mm

BASE FIX INSTALLATION:



SIDE FIX INSTALLATION:



PRO-FALLING®

304 316 Zinc Zamac Mild steel Galvanised Aluminium Duplex