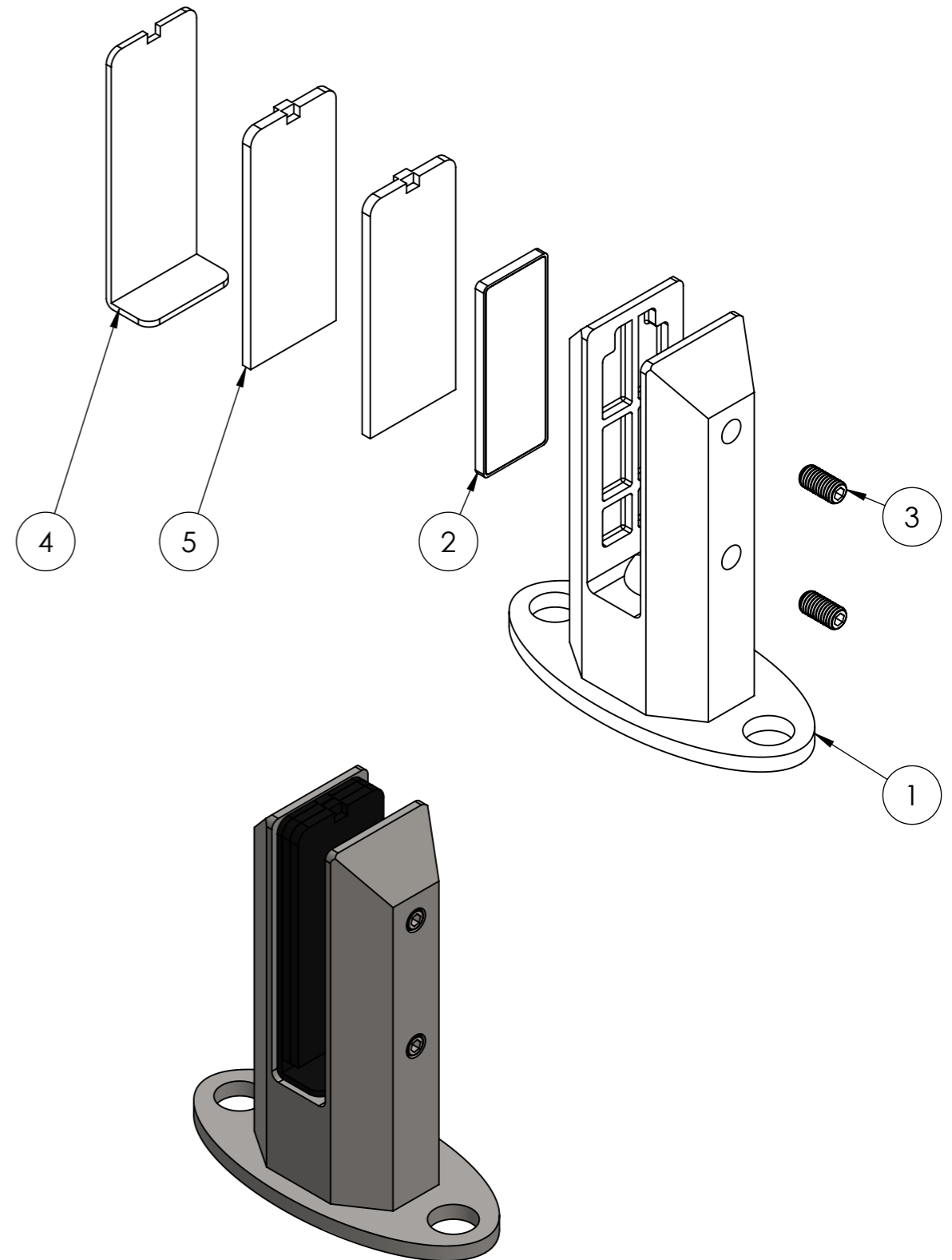
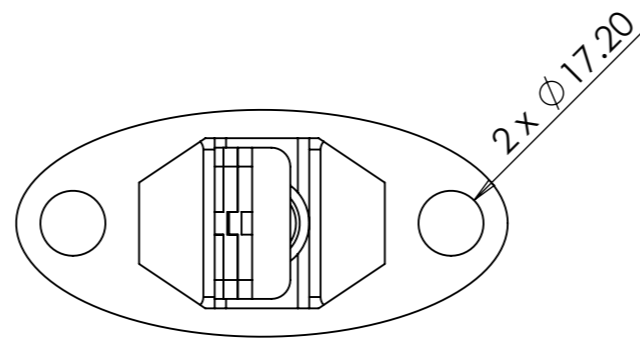
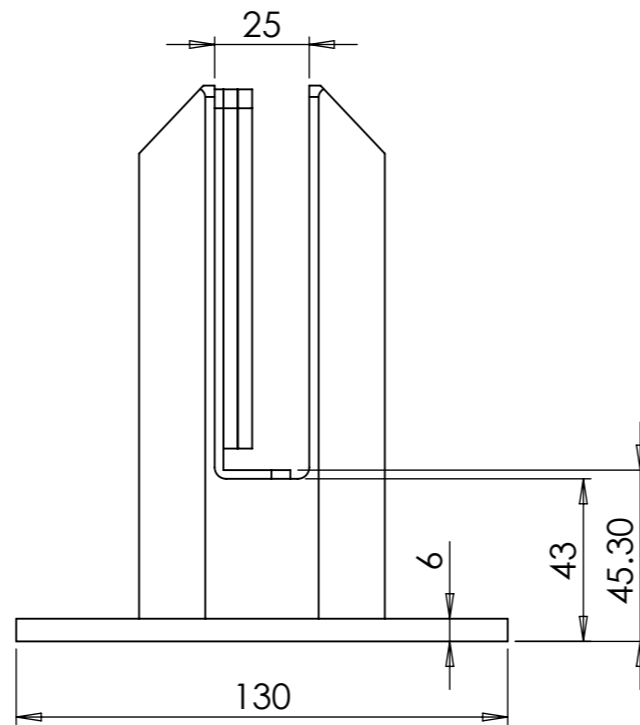
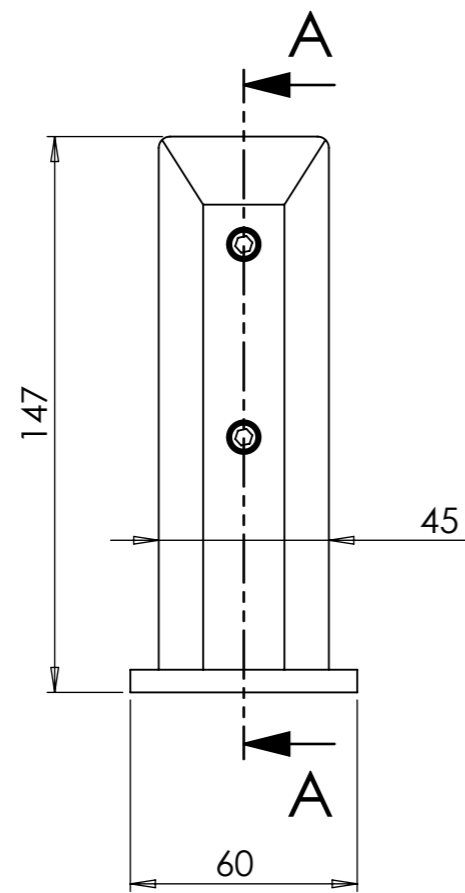


SECTION A-A



| ITEM NO. | DESCRIPTION   | QTY. |
|----------|---|------|
| 1        | Glass Spigot Base Fix 10 - 21.52mm Glass Sqaure Model Duplex 2205 | 1    |
| 2        | Insert - Steel & Plastic  | 1    |
| 3        | M10 Hex Head  | 2    |
| 4        | Insert - L Shaped Plastic   | 1    |
| 5        | Insert - Plastic Spacer   | 2    |



**Pro-Railing**

Tel: 0121 565 8282  
Email: prorailing@brundle.com  
Web: www.prorailing.co.uk



UNLESS OTHERWISE SPECIFIED  
ALL DIMENSIONS ARE IN MILLIMETERS

|         | NAME | DATE       | REVISION |
|---------|------|------------|----------|
| DRAWN   | GC   | 17/02/2017 |          |
| CHECKED |      |            | C        |

MATERIAL:  
2205 Duplex

FINISH:  
Polished

GRIT SIZE:  
320

NOTES:

Customer Drawing Information

DESCRIPTION:

Glass Spigot Base Fix 10 - 21.52mm Glass Sqaure Model Duplex 2205

PART NO:

1822008

DWG NO:

N/A

A3

SCALE:1:2

DO NOT SCALE DRAWING

SHEET 1 OF 1